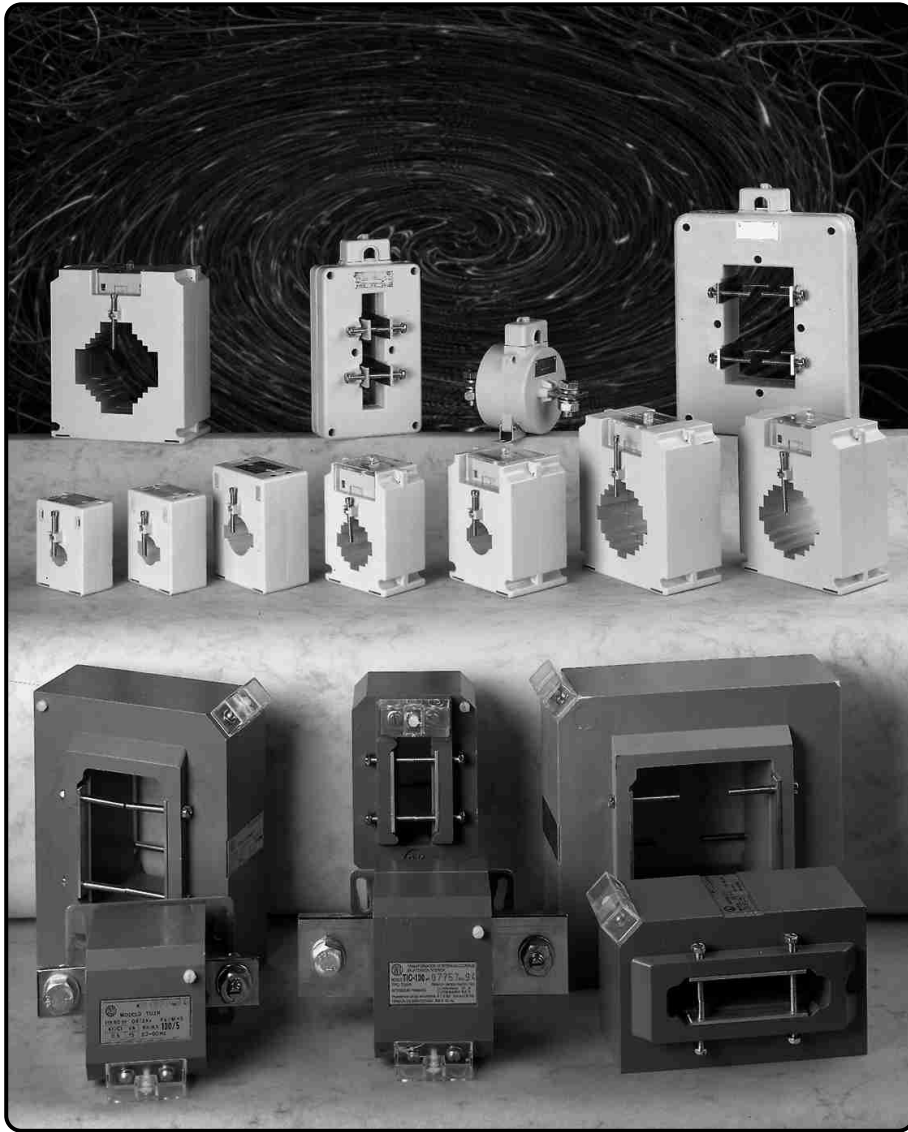


# TRANSFORMERS



Transformers



# TRANSFORMERS

Current transformers

## CONTENTS

<b>GENERAL FEATURES .....</b>	<b>T.03</b>
<b>MEASURING TRANSFORMERS (PLASTIC CASING)</b>	
<b>WOUND PRIMARY .....</b>	<b>T.04</b>
<b>BUS-BAR .....</b>	<b>T.05-T07</b>
<b>MEASUREMENT TRANSFORMERS (ENCAPSULATED IN RESIN)</b>	
<b>WOUND PRIMARY .....</b>	<b>T.08</b>
<b>BUS-BAR .....</b>	<b>T.09</b>
<b>MEASUREMENT EQUIPMENT - ENERGY METER .....</b>	<b>T.10</b>
<b>SPLIT-CORE TRANSFORMERS (ENCAPSULATED IN RESIN) .....</b>	<b>T.11</b>
<b>MEASUREMENT TRANSFORMERS (ENCAPSULATED IN RESIN)</b>	
<b>NARROW PROFILE .....</b>	<b>T.12</b>
<b>NARROW PROFILE - HORIZONTAL BUSBAR .....</b>	<b>T.13-T.14</b>
<b>PROTECTION TRANSFORMERS (PLASTIC CASING) .....</b>	<b>T.15-T.16</b>
<b>PROTECTION TRANSFORMERS (ENCAPSULATED IN RESIN) .....</b>	<b>T.16-T.18</b>
<b>TRANSFORMERS WITH BUILT-IN TRANSDUCER .....</b>	<b>T.19-T.20</b>
<b>SUMMATION CURRENT TRANSFORMERS .....</b>	<b>T.21</b>
<b>VOLTAGE TRANSFORMERS (ENCAPSULATED IN RESIN) .....</b>	<b>T.21</b>

# TRANSFORMERS

## Current transformers

### GENERAL

Measuring and protection transformers.  
 Wound primary, bus-bar and split-core transformers.  
 For cable or bus-bar.  
 Plastic or resin encapsulated casings (depending on type).  
 With fixing support and/or bar enclosing screws depending on type).  
 Fixing to DIN rail (on request).

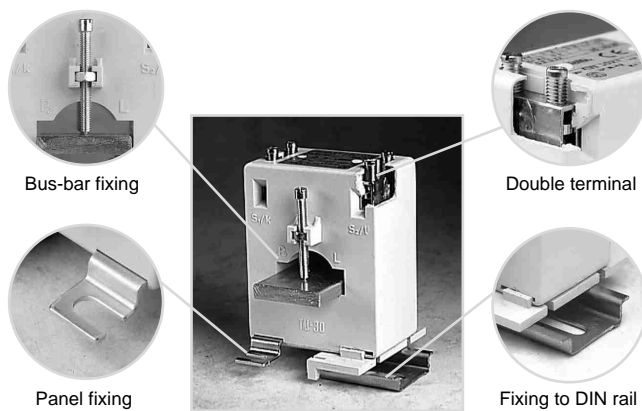
### STANDARDS

IEC 185  
 UNE EN 60044-1  
 VDE 0414  
 IEC 801/1-3.4  
 DIN 57414  
 BS 3938  
 EN 50081  
 EN 50082  
 IEC 1010

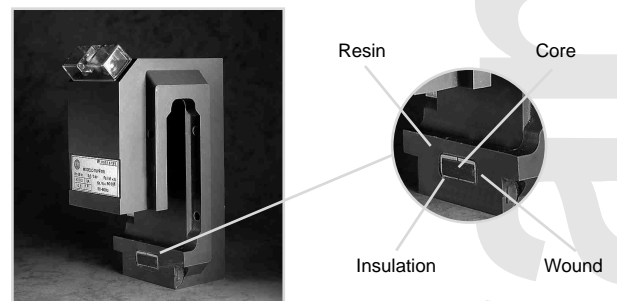
### GENERAL TECHNICAL SPECIFICATIONS

Security factor	$F_s < 5$
Rated voltage (maximum)	720 V
Test voltage	3 kV AC. (1 min)
Frequency	50-60 Hz
Rated short-time thermal current	$I_{th} = 60 I_n$ for wound primary transformers $I_{th}$ limited by cable sizes or primary bus-bar for other cases.
Rated dynamic current	$IDyn = 2.5 \times I_{th}$
Continuous overload	$ID = 1.2 \times I_n$
Operating temperature	-10...50 °C.
Accuracy	0.5 ; 1 and 3
Rated secondary current	/5 or /1 A

(\*) Other technical specifications, on request.



CONSTRUCTION AND FIXING DETAILS



ENCAPSULATED TRANSFORMER SECTION

# TRANSFORMERS

Current transformers

## MEASURING TRANSFORMERS (PLASTIC CASING)



MODEL	WOUND PRIMARY TRANSFORMERS								
	TU3ba			TU3b			TU3bc		
Bar									
Cable									
Accuracy	0,5	1	3	0,5	1	3	0,5	1	3
I <sub>pn</sub> (A)	VA			VA			VA		
5	5	7,5		10	20	30	15	25	40
10	5	7,5		10	20	30	15	25	40
15	5	7,5		10	20	30	15	25	40
20	5	7,5		10	20	30	15	25	40
25	5	7,5		10	20	30	15	25	40
30	5	7,5		10	20	30	15	25	40
40	5	7,5		10	20	30	15	25	40
50	5	7,5		10	20	30	15	25	40
60	5	7,5		10	20	30	15	25	40
75	5	7,5		10	20	30	15	25	40
100				10	20	30	15	25	40
125				10	20	30	15	25	40
150				10	20	30	15	25	40

## DIMENSIONS

**TU3ba -TU3b -TU3bc**

Sizes in mm.	Models					
	TU3ba		TU3b		TU3bc	
	5/5 a 25/5	30/5 a 75/5	5/5 a 25/5	30/5 a 150/5	5/5 a 25/5	30/5 a 150/5
<b>A</b>	41		52		63	
<b>B</b>	81	90	92	101	103	112
<b>C</b>	101	115	112	126	123	137
<b>D</b>	M.6	M.10	M.6	M.10	M.6	M.10

Dimensions in m.m.

# TRANSFORMERS

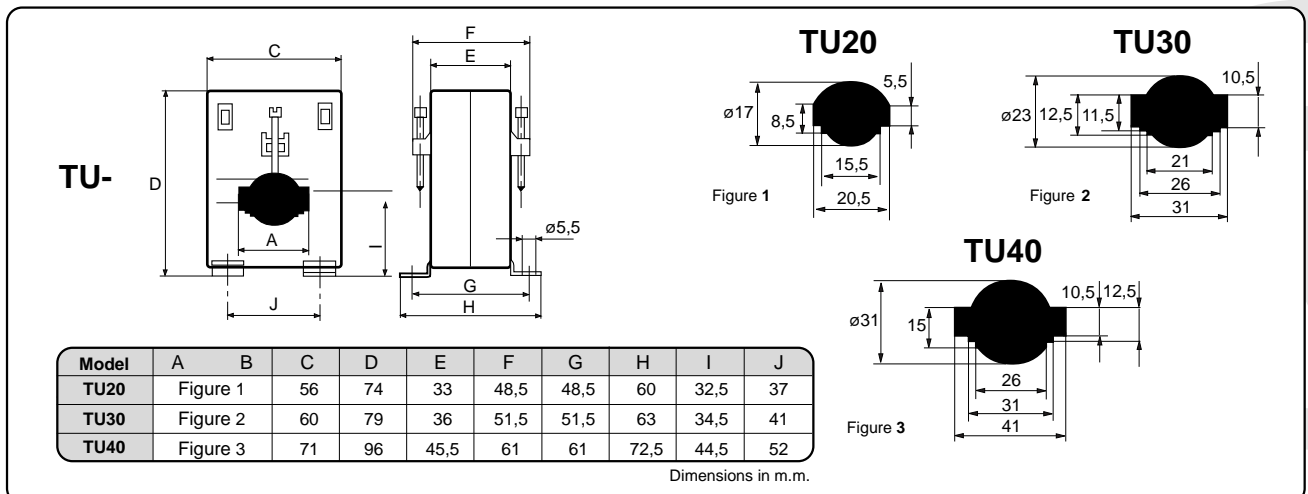
Current transformers

## MEASURING TRANSFORMERS (PLASTIC CASING)



MODEL	WINDOW TYPE TRANSFORMERS								
	TU20			TU30			TU40		
Bar	20x5			30x10			40x10		
Cable	Ø 16			Ø 22			Ø 30		
Accuracy	0,5	1	3	0,5	1	3	0,5	1	3
I <sub>pn</sub> (A)	VA			VA			VA		
30	1								
40	1								
50	1						0,75 1,5		
60	1	2					1,25 2		
75	1,5	2,5					2 3,75		
100	2,5	3,75		1,25	2,5		1	3 5	
125	3,75	5		1,25	2,5		2,5	3,75 5	
150	3,75	5	7,5	1,5	2,5	3,75	3,75	5	7,5
200	5	7,5	10	2,5	3,75	5	3,75	5	7,5
250	7,5	10	15	3,75	5	7,5	5	7,5	10
300				3,75	5	7,5	7,5	10	15
400				3,75	5	7,5	10	15	20
500				5	7,5	10	10	15	20
600				5	7,5	10	10	15	20
750							10	15	20
800							15	20	30
1000							15	20	30

## DIMENSIONS



# TRANSFORMERS

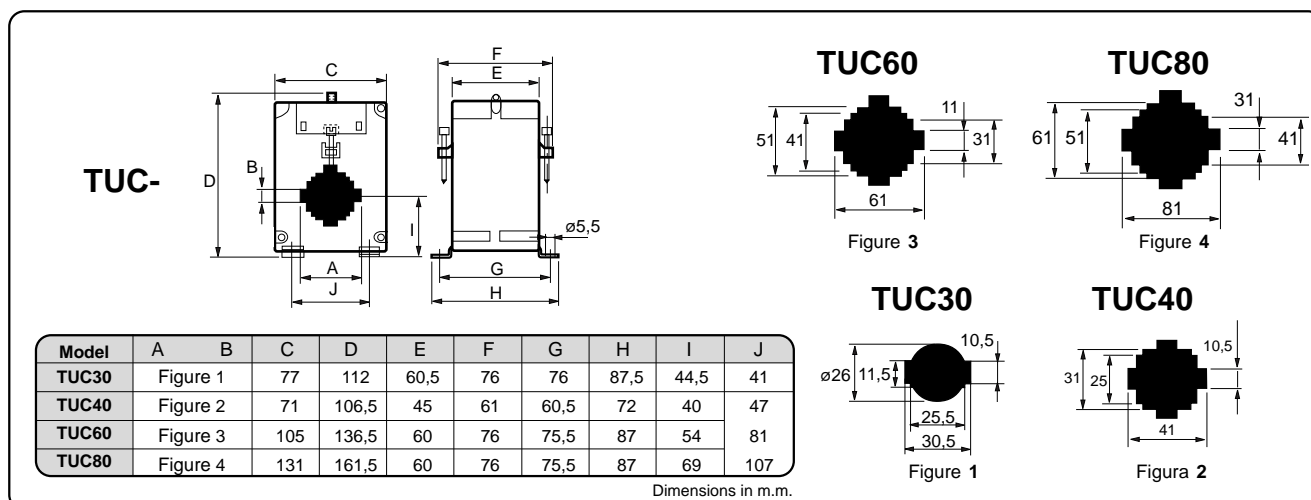
Current transformers

## MEASURING TRANSFORMERS (PLASTIC CASING)



MODEL	BUS-BAR TRANSFORMERS			
	TUC30	TUC40	TUC60	TUC80
Bar	30x10	40x10	60x10	80x30
Cable	Ø 25	Ø 32	Ø 51	Ø 65
Accuracy	0,5 1 3	0,5 1 3	0,5 1 3	0,5 1 3
I <sub>pn</sub> (A)	VA	VA	VA	VA
50		0,75 1,5		
60		1,25 2		
75		2 3,75		
100		1 3 5		
125		2,5 3,75 5		
150		3,75 5 7,5		
200	15 20 30	3,75 5 7,5		
250	15 20 30	5 7,5 10		
300	15 20 30	7,5 10 15		
400	15 20 30	10 15 20	15 20 30	15 20 30
500	15 20 30	10 15 20	15 20 30	15 20 30
600	15 20 30	10 15 20	15 20 30	15 20 30
750		10 15 20	15 20 30	15 20 30
800		15 20 30	15 20 30	15 20 30
1000		15 20 30	15 20 30	15 20 30
1200			15 20 30	15 20 30
1500			15 20 30	15 20 30
2000			15 20 30	15 20 30
2500			15 20 30	15 20 30

## DIMENSIONS



# TRANSFORMERS

Current transformers

## MEASURING TRANSFORMERS (PLASTIC CASING)



MODEL	BUS-BAR TRANSFORMERS		
	TL2	TL3	TL4
Bar	100x20	100x30	100x60
Cable	Ø 20	Ø 30	Ø 60
Accuracy	0,5 1 3	0,5 1 3	0,5 1 3
I <sub>pn</sub> (A)	VA	VA	VA
750	10 20 30		
800	15 20 30		
1000	20 30 45		
1200	20 30 45		
1500	30 45 60	10 20 30	
2000	30 60 90	15 25 40	10 20 30
2500		25 30 45	10 20 30
3000		30 45 60	20 30 45
4000			30 60 90
5000			30 60 90

## DIMENSIONS

**TL-**

Model	A	B	C	D	E	F
TL2	102	20	94	178	38	66
TL3	103	32	114	210	45	71
TL4	104	62	156	224	50	78

Dimensions in m.m.

# TRANSFORMERS

Current transformers

## MEASURING TRANSFORMERS (ENCAPSULATED IN RESIN)



MODEL	WOUND PRIMARY TRANSFORMERS							
	TU3aR		TU3bR		TU3R		TU50R	
Bar	-		-		-		-	
Cable	-		-		-		-	
Accuracy	0,5	1	0,5	1	0,5	1	0,5	1
I <sub>pn</sub> (A)	VA		VA		VA		VA	
5	2,5	5						
10	2,5	5						
15	2,5	5						
20	2,5	5						
25	2,5	5						
30	2,5	5						
40	2,5	5	10	20				
50	2,5	5	10	20	15	25		
60	2,5	5	10	20	15	25		
75	2,5	5	10	20	15	25		
100	2,5	5	10	20	15	25		
125	2,5	5	10	20	15	25		
150	2,5	5	10	20	15	25		
200	2,5	5	10	20	15	25		
250	2,5	5			15	25		
300	2,5	5			15	25		
400					15	25	15	25
500					15	25	15	25
600					15	25	15	25
750							15	25
800							15	25

### DIMENSIONS

**TU3aR**

Fixing support

Model	Ratio	A	B	C	D	E	F	G	H	I
TU3R	50/5-300/5	80	73,5	96	30	5	110	38	42	140
	400/5-600/5	80	73,5	101	30	10	110	48	47	140
TU3bR	5/5-200/5	77	55	86	24	4	100	32	42	126
TU50R	400/5-800/5	100	75	100	50	10	135	48	50	175

Dimensions in m.m.

TU3R - TU3bR - TU50R



# TRANSFORMERS

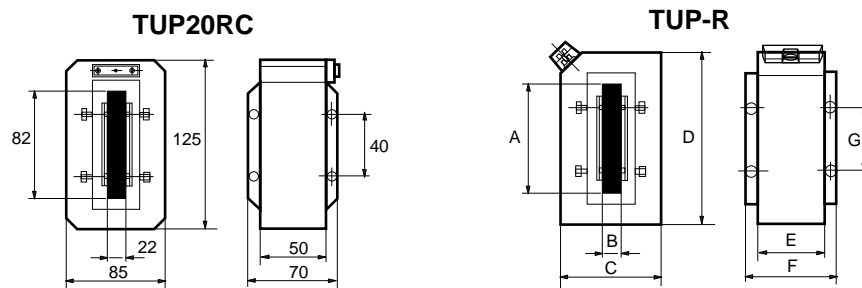
Current transformers

## MEASURING TRANSFORMERS (ENCAPSULATED IN RESIN)



MODEL	BUS-BAR TRANSFORMERS							
	TUP20RC		TUP20R		TUP60R		TUP95R	
Bar	80x20		100x20		100x60		100x95	
Cable	Ø 20		Ø 20		Ø 60		Ø 95	
Accuracy	0,5	1	0,5	1	0,5	1	0,5	1
I <sub>pn</sub> (A)	VA		VA		VA		VA	
500	10	15						
600	15	25						
750	15	25	15	25				
800	15	25	15	25				
1000	15	25	15	25				
1200	15	25	15	25				
1500	15	25	15	25				
2000			15	25	15	25		
2500					15	25		
3000					15	25	15	25
4000					15	25	15	25
5000							15	25

## DIMENSIONS



Model	A	B	C	D	E	F	G
TUP20R	105	20	95	160	60	80	60
TUP60R	105	60	150	193	60	80	60
TUP95R	105	95	200	200	60	80	60

Dimensions in m.m.

# TRANSFORMERS

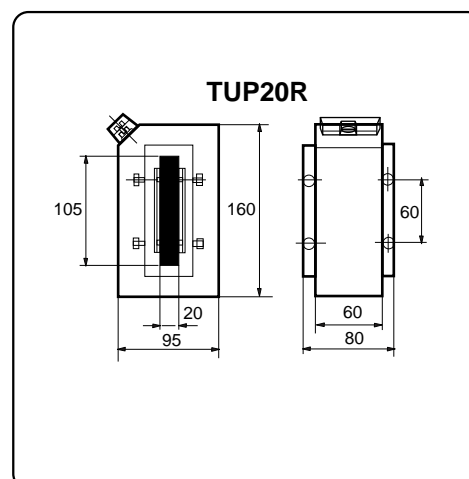
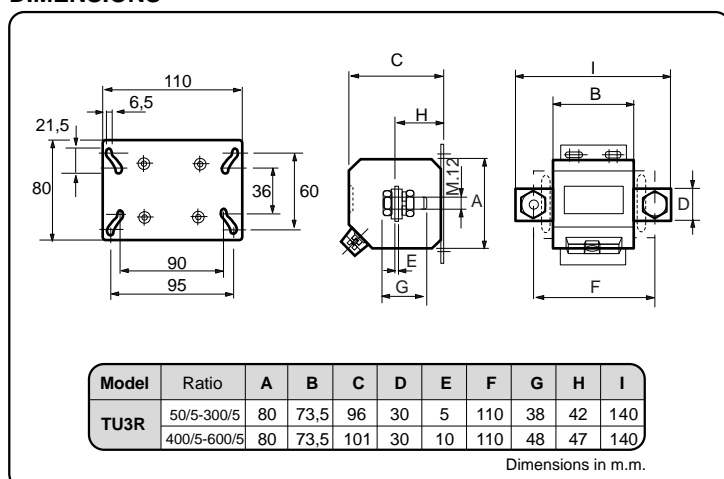
Current transformers

## MEASUREMENT TRANSFORMERS (ENCAPSULATED IN RESIN) MEASUREMENT EQUIPMENT - ENERGY METER



	WOUND PRIMARY	BUS-BAR
MODEL	TU3R	TUP20R
Bar	-	100x20
Cable	-	Ø 20
Accuracy	0,5 S	0,5 S
I <sub>pn</sub> (A)	VA	VA
50	10	
60	10	
75	10	
100	10	
125	10	
150	10	
200	10	
250	10	
300	10	
400	10	
500	10	
600	10	
750		10
800		10
1000		10
1200		10
1500		10
2000		10

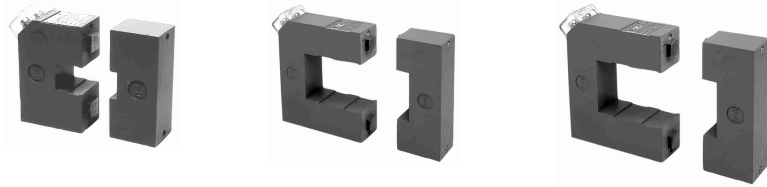
### DIMENSIONS



# TRANSFORMERS

Current transformers

## MEASURING TRANSFORMERS (ENCAPSULATED IN RESIN)



MODEL	SPLIT-CORE TRANSFORMERS					
	TA30R	TA60R	TA80R	TA100R	TA125R	TA160R
Bar	30x20	60x30	80x50	100x80	125x80	160x80
Cable	Ø 20	Ø 30	Ø 50	Ø 80	Ø 80	Ø 80
Accuracy	0,5 1 3	0,5 1 3	0,5 1 3	0,5 1 3	0,5 1 3	0,5 1 3
I <sub>pn</sub> (A)	VA	VA	VA	VA	VA	VA
100	3					
150	3,75					
200	2,5 4					
250	3,75 5	1 2,5 3,75	1 2,5 3,75	1 2,5 3,75		
300	2,5 4 6	2 3,75 5	2 3,75 5	2 3,75 5		
400	3,75 5 10	2,5 3,75 7,5	2,5 3,75 7,5	2,5 3,75 7,5		
500		3,75 5 15	3,75 5 15	3,75 5 15	1,25 5 7,5	2,5 3,75 7,5
600		5 7,5 20	5 7,5 20	5 7,5 20	1,25 5 15	3,75 5 10
750		7,5 10 20	7,5 10 20	7,5 10 20	5 10 20	5 10 20
800		7,5 10 20	7,5 10 20	7,5 10 20	7,5 10 20	7,5 10 20
1000		10 15 20	10 15 20	10 15 20	10 20 30	10 20 30
1200				15 20 30	15 20 30	15 20 30
1500				15 20 30	20 30 45	20 30 45
2000				20 30 45	25 30 45	25 30 45
2500					25 30 45	25 30 45
3000					30 45 60	30 45 60
4000						30 45 60
5000						30 45 60

### DIMENSIONS

**TA-R**

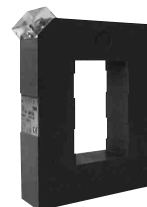
Model	A	B	C	D	E	F
TA30R	32	22	100	90	99	109
TA60R	62	32	130	100	109	139
TA80R	82	52	150	120	129	159
TA100R	104	82	172	150	159	181
TA125R	127	82	195	150	159	204
TA160R	162	82	230	150	159	239

Dimensions in m.m.

# TRANSFORMERS

## Current transformers

### MEASURING TRANSFORMERS (ENCAPSULATED IN RESIN)



MODEL	BUS-BAR TRANSFORMERS					
	TU30R	TU60R	TU80R	TU100R	TU125R	TU160R
Bar	30x20	60x30	80x50	100x80	125x80	160x80
Cable	Ø 20	Ø 30	Ø 50	Ø 80	Ø 80	Ø 80
Accuracy	0,5 1 3	0,5 1 3	0,5 1 3	0,5 1 3	0,5 1 3	0,5 1 3
I <sub>pn</sub> (A)	VA	VA	VA	VA	VA	VA
100	3,75					
150	3,75 5					
200	5 7,5					
250	5 7,5 10	2,5 3,75 5	2,5 3,75 5	2,5 3,75 5		
300	5 7,5 10	3,75 5 7,5	3,75 5 7,5	3,75 5 7,5		
400	7,5 10 15	5 7,5 10	5 7,5 10	5 7,5 10		
500		7,5 10 15	7,5 10 15	7,5 10 15	10 15 20	10 15 20
600		10 15 20	10 15 20	10 15 20	15 20 30	15 20 30
750		15 20 30	15 20 30	15 20 30	15 20 30	15 20 30
800		15 20 30	15 20 30	15 20 30	15 20 30	15 20 30
1000		15 20 30	15 20 30	15 20 30	15 20 30	15 20 30
1200				15 20 30	15 20 30	15 20 30
1500				15 20 30	15 20 30	15 20 30
2000				15 20 30	15 20 30	15 20 30
2500				15 20 30	15 20 30	15 20 30
3000					15 20 30	15 20 30
4000					15 20 30	15 20 30
5000					15 20 30	15 20 30

### DIMENSIONS

Model	A	B	C	D	E	F
TU30R	32	22	100	90	99	109
TU60R	62	32	130	100	109	139
TU80R	82	52	150	120	129	159
TU100R	104	82	172	150	159	181
TU125R	127	82	195	150	159	204
TU160R	162	82	230	150	159	239

Dimensions in m.m.

# TRANSFORMERS

Current transformers

## MEASURING TRANSFORMERS (ENCAPSULATED IN RESIN)



MODEL	BUS-BAR TRANSFORMERS NARROW PROFILE - HORIZONTAL BAR				BUS-BAR TRANSFORMERS	
	TU60RS	TU80RS	TU100RS	TU125RS	TU100RT	TU125RT
Bar	15x60	50x80	60x100	80x125	100x20	125x35
Cable	Ø 15	Ø 50	Ø 60	Ø 80	Ø 20	Ø 35
Accuracy	0,5 1 3	0,5 1 3	0,5 1 3	0,5 1 3	0,5 1 3	0,5 1 3
Ipn (A)	VA	VA	VA	VA	VA	VA
400	5 7,5 10	5 7,5 10				
500	7,5 10 15	5 7,5 10				
600	10 15 20	10 15 20				
750	10 15 20	10 15 20	15 20 30		10 20 30	
800	10 15 20	10 15 20	15 20 30		15 20 30	7,5 10 15
1000	10 15 20	10 15 20	15 20 30		20 30 45	7,5 10 15
1200	10 15 20	10 15 20	15 20 30		20 30 45	7,5 10 15
1500	15 20 30	10 15 20	15 20 30		30 45 60	10 15 20
2000	15 20 30	10 15 20	15 20 30	15 20 30	30 60 90	15 20 30
2500		10 15 20	15 20 30	15 20 30	30 60 90	20 25 30
3000			15 20 30	15 20 30	30 60 90	25 30 45
4000				15 20 30		
5000				15 20 30		
6000				15 20 30		

### DIMENSIONS

**TU-RT**

Model	A	B	C	D	E	F	G
TU100RT	22	101	83	145	40	55	66
TU125RT	38	127	97	170	40	55	66

Dimensions in m.m.

**TU-RS**

Model	A	B	C	D	E	F	G
TU60RS	Figure 1	90	115	40	100	66	
TU80RS	82	57	110	135	40	120	66
TU100RS	102	62	140	153	34	130	66
TU125RS	127	82	165	189	42	166	66

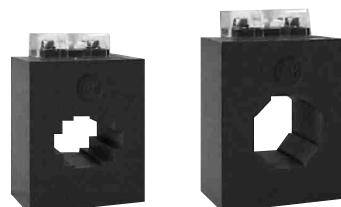
Dimensions in m.m.

**TU60RS**  
Figure 1

# TRANSFORMERS

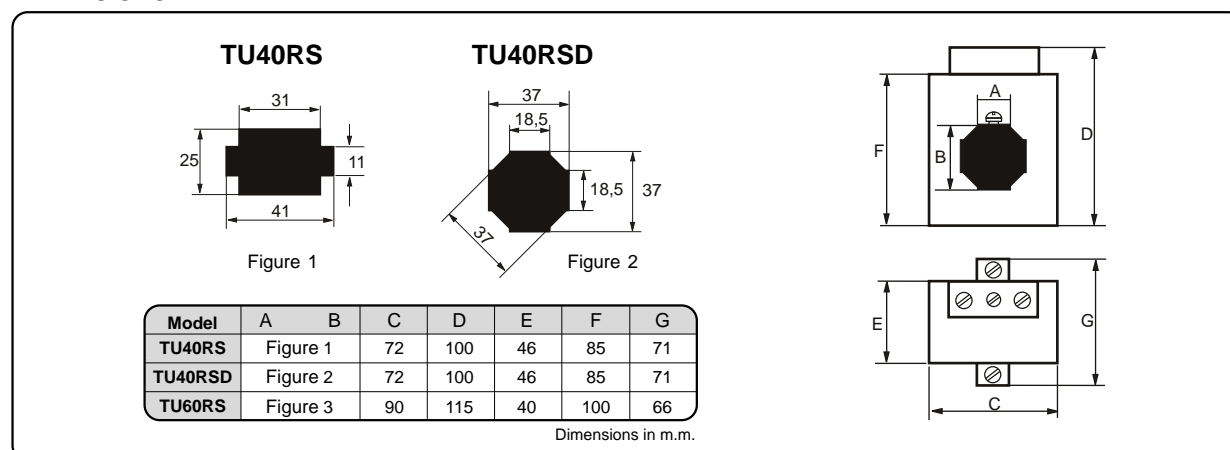
## Current transformers

### MEASUREMENT TRANSFORMERS (ENCAPSULATED IN RESIN)



BUS-BAR TRANSFORMERS		
MODEL	TU40RS	TU40RSD
Bar	40x10	37x18
Cable	Ø 25	Ø 36
Accuracy	0,5 1 3	0,5 1 3
I <sub>pn</sub> (A)	VA	VA
200		5 7,5 10
250		5 7,5 10
300	10 15 20	10 15 20
400	10 15 20	10 15 20
500	10 15 20	10 15 20
600	10 15 20	10 15 20
750	10 15 20	10 15 20
800	10 15 20	10 15 20
1000	10 15 20	10 15 20

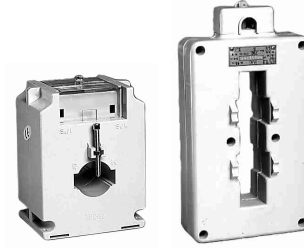
### DIMENSIONS



# TRANSFORMERS

Current transformers

## PROTECTION TRANSFORMERS (PLASTIC CASING)



MODEL	BUS-BAR TRANSFORMERS							
	TUC30	TUC60	TUC80	TL2	TL3	TL4		
Bar	30x10	60x10	80x30	100x20	100x30	100x60		
Cable	Ø 25	Ø 51	Ø 65	Ø 20	Ø 30	Ø 60		
Accuracy	5P10 10P10	5P10 10P10	5P10 10P10	5P10 10P10	5P10 10P10	5P10 10P10		
I <sub>pn</sub> (A)	VA		VA		VA		VA	
200	3,5 5	3,5 3,5	3,5 3,5					
250	5 5	3,5 3,5	3,5 3,5					
300	5 7,5	5 5	5 5					
400		5 5	5 5					
500		5 7,5	5 7,5					
600		7,5 10	7,5 10					
750		7,5 10	7,5 10					
800		10 10	10 10					
1000		10 10	10 10					
1200		10 10	10 10					
1500		10 12,5	10 12,5					
2000		10 12,5	10 12,5	5 7,5				
2500				5 7,5	7,5 10			
3000					7,5 10			
4000						5 7,5		
5000						7,5 10		

### DIMENSIONS

**TUC30**

Figure 1

**TUC60**

Figure 2

**TUC80**

Figure 3

Model	A	B	C	D	E	F	G	H	I	J
TUC30	Figure 1		77	112	60,5	76	76	87,5	44,5	41
TUC60	Figure 2		105	136,5	60	76	75,5	87	54	81
TUC80	Figure 3		131	161,5	60	76	75,5	87	69	107

Dimensions in m.m.

**TL-**

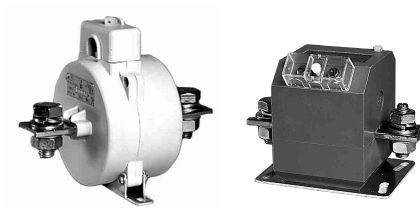
Model	A	B	C	D	E	F
TL2	102	20	94	178	38	66
TL3	103	32	114	210	45	71
TL4	104	62	156	224	50	78

Dimensions in m.m.

# TRANSFORMERS

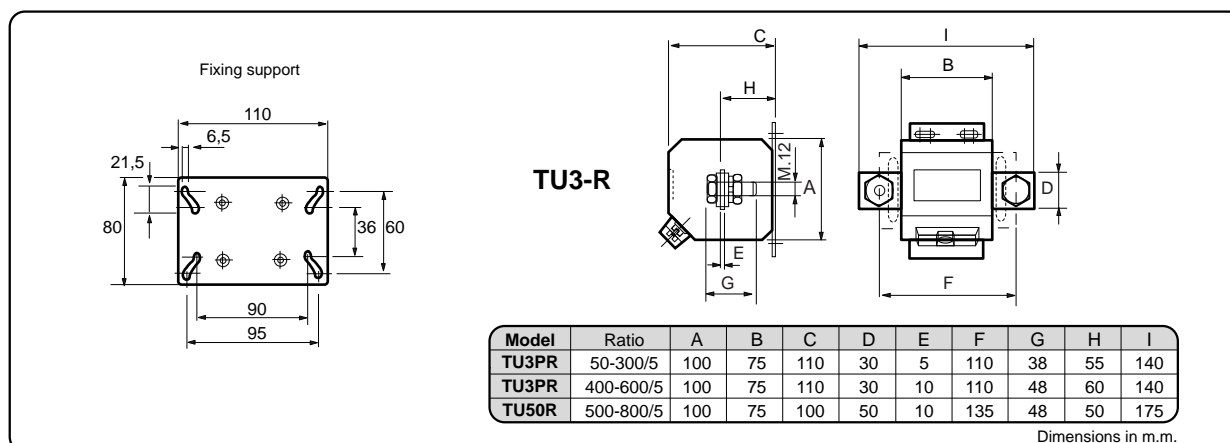
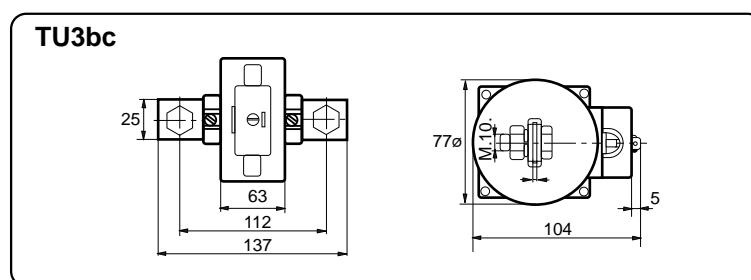
Current transformers

## PROTECTION TRANSFORMERS (WOUND PRIMARY)



MODEL	PLASTIC CASING		ENCAPSULATED IN RESIN		
	TU3bc		TU3PR		TU50R
Accuracy	5P10	10P10	5P10	10P10	5P10 10P10
I <sub>pn</sub> (A)	VA		VA		VA
50	3,5	3,5	10	10	
60	3,5	3,5	10	10	
75	3,5	3,5	10	10	
100	3,5	3,5	10	10	
125	3,5	3,5	10	10	
150	3,5	3,5	10	10	
200			10	10	
250			10	10	
300			10	10	
400			10	10	
500					7,5 7,5
600					7,5 7,5
750					12,5 12,5
800					12,5 12,5

## DIMENSIONS





# TRANSFORMERS

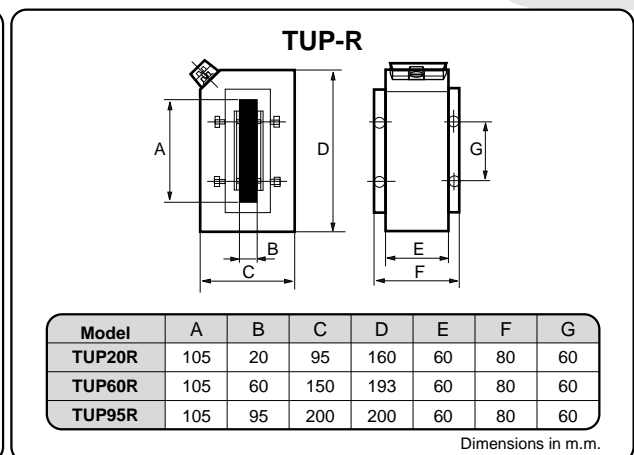
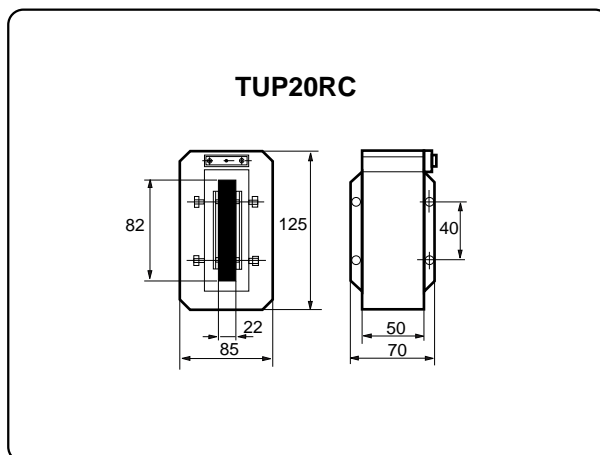
Current transformers

## PROTECTION TRANSFORMERS (ENCAPSULATED IN RESIN)



MODEL	BUS-BAR TRANSFORMERS							
	TUP20RC		TUP20R		TUP60R		TUP95R	
Bar	80x20		100x20		100x60		100x95	
Cable	Ø 20		Ø 20		Ø 60		Ø 95	
Accuracy	5P10	10P10	5P10	10P10	5P10	10P10	5P10	10P10
I <sub>pn</sub> (A)	VA		VA		VA		VA	
500	3,5	3,5						
600	3,5	3,5						
750	3,5	3,5	7,5	10				
800	3,5	3,5	7,5	10				
1000	5	5	12,5	15	12,5	15		
1200			15	15	15	15		
1500			15	20	15	20		
2000			15	20	15	20		
2500					15	20		
3000					20	30	15	20
4000							20	30
5000							20	30

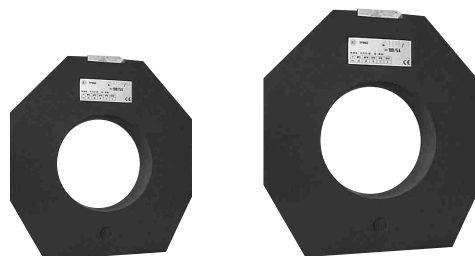
### DIMENSIONS



# TRANSFORMERS

Current transformers

## PROTECTION TRANSFORMERS (ENCAPSULATED IN RESIN)



MODEL	BUS-BAR TRANSFORMERS							
	TPR60		TPR80		TPR100		TPR125	
Cable	Ø 60		Ø 80		Ø 100		Ø 125	
Accuracy	5P10	5P20	5P10	5P20	5P10	5P20	5P10	5P20
I <sub>pn</sub> (A)	VA		VA		VA		VA	
100	10	5						
150	15	7						
200	20	10						
250	25	12	12	5				
300	30	15	15	7				
400	40	20	22	10				
500	50	25	30	12	15	7		
600	60	30	35	15	15	8		
750	75	38	45	18	20	10		
800	80	40	48	20	25	12		
1000	100	50	48	20	30	15	20	10
1200			48	22	30	17	30	15
1500			73	28	40	20	30	15
2000			97	35	60	30	30	15
2500					65	35	40	20
3000					65	35	40	20
4000					80	45	50	25
5000					120	70	70	35

### DIMENSIONS

Fixing support

Model	A	B
TPR60	124	120
TPR80	136	100
TPR100	150	100
TPR125	166	100

Model	A	B	C	D	E	F	G
TPR60	62	211	80	185	124	110	93
TPR80	82	231	60	205	136	120	103
TPR100	102	251	60	225	150	130	113
TPR125	127	276	60	250	166	143	125

Dimensions in m.m.

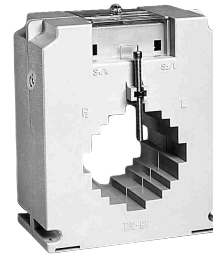
# TRANSFORMERS

Current transformers

## TRANSFORMERS WITH BUILT-IN MEASUREMENT TRANSDUCER (PLASTIC CASING)

### TECHNICAL SPECIFICATIONS:

Operating range: 10-120%  
 Maximum load impedance: 600  
 Frequency: 50-60 Hz  
 Response time: <200 ms



MODEL	TC40	TC60	TC80
Bar	40x10	60x10	80x30
Cable	Ø 32	Ø 51	Ø 65
Accuracy	1	1	1
I <sub>pn</sub> (A)	Output (mA)	Output (mA)	Output (mA)
50	20		
60	20		
75	20		
100	20		
125	20		
150	20		
200	20		
250	20		
300	20		
400	20	20	20
500		20	20
600		20	20
750		20	20
800		20	20
1000		20	20
1200		20	20
1500		20	20
2000		20	20
2500		20	20

### DIMENSIONS

Figure 2

Figure 3

Figure 4

Figure 5

Model	A	B	C	D	E	F	G	H	I	J
TC40	Figure 2		71	106,5	45	61	60,5	72	40	47
TC60	Figure 3		105	136,5	60	76	75,5	87	54	81
TC80	Figure 4		131	161,5	60	76	75,5	87	69	107

Dimensions in m.m.

# TRANSFORMERS

## Current transformers

### TRANSFORMERS WITH BUILT-IN MEASUREMENT TRANSDUCER (PLASTIC CASING)

#### TECHNICAL SPECIFICATIONS:

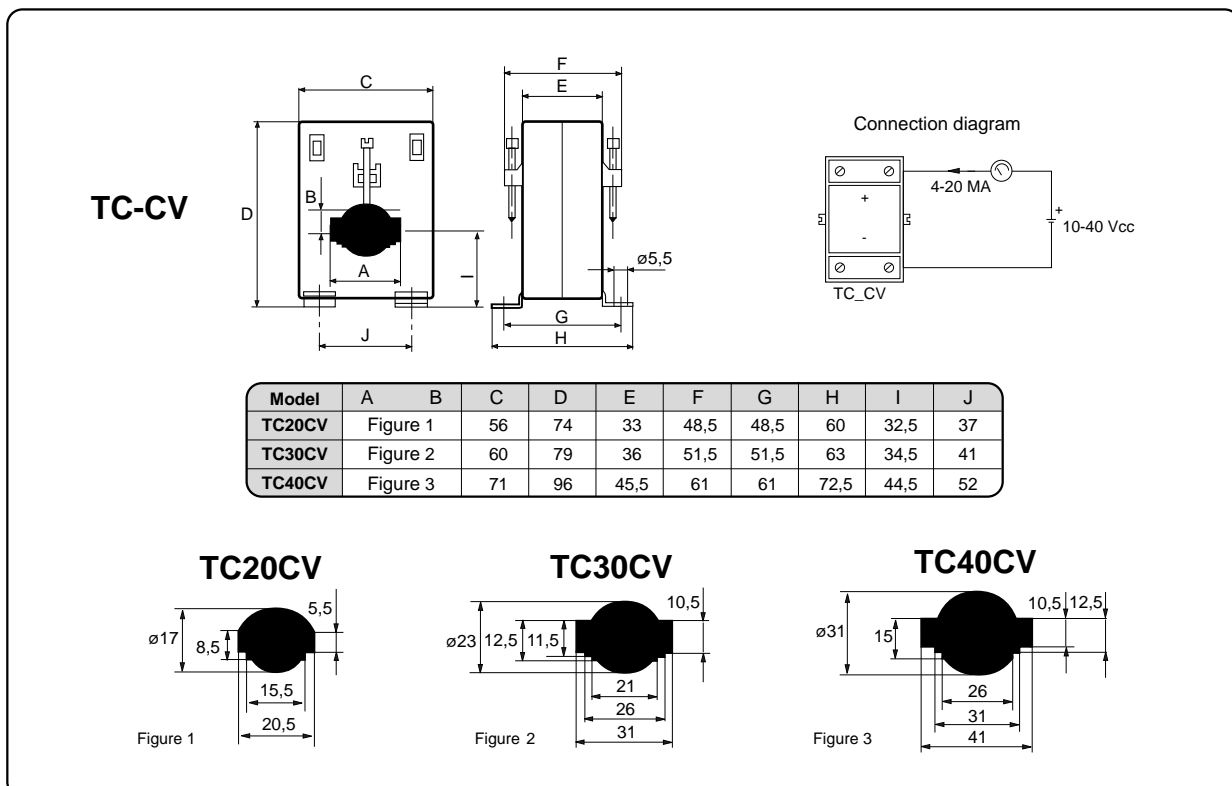
Operating range: 10-120%  
 Maximum load impedance: 600 Ohms (24 V)  
 Frequency: 50-60 Hz  
 Response time: <200 ms



Selection of transformer ratio by switch

MODEL	TC20CV	TC30CV	TC40CV
Bar	20x5	30x10	40x10
Cable	Ø 16	Ø 22	Ø 30
Accuracy	1	1	1
I <sub>pn</sub> (A)	Output (mA)	Output (mA)	Output (mA)
10; 12,5; 15 y 20	4-20	4-20	4-20
20; 25; 30 y 40	4-20		
50; 60; 75 y 100	4-20	4-20	4-20
125; 150; 200 y 250	4-20	4-20	4-20
300; 400; 500 y 600	4-20	4-20	4-20

### DIMENSIONS



Dimensions in m.m.

# TRANSFORMERS

## Current transformers

### SUMMATION CURRENT TRANSFORMERS (ENCAPSULATED IN RESIN)

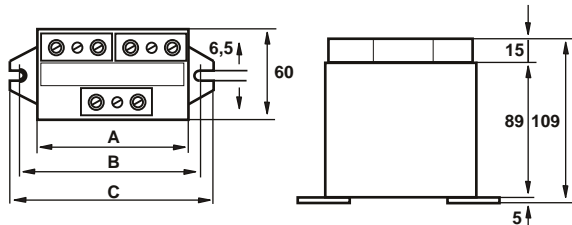
In these transformers, the secondary current is the vectorial addition of primary currents.

Accuracy	0,5	MODEL
Ipn	VA	
5+5 / 5	10	TRS2
5+5+5 / 5	10	TRS3
5+5+5+5 / 5	10	TRS4
5+5+5+5+5 / 5	10	TRS5



TRS2

### DIMENSIONS



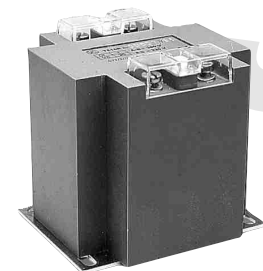
Model	A	B	C
TRS2	100	119	135
TRS3	100	119	135
TRS4	150	169	185
TRS5	150	169	185

Dimensions in m.m.

### VOLTAGE TRANSFORMERS (ENCAPSULATED IN RESIN)

Operating range: 80 - 120 % Vpn  
 Load: 25 - 100 % (cosine  $\phi = 0,8$ )

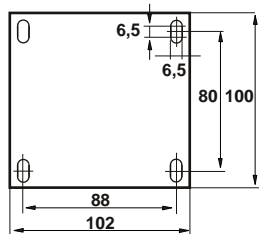
MODEL		TE15R
Accuracy		1
Primary voltage	Secondary voltage	VA
440	220	25
440	110	25
440	100	25
380	220	25
380	110	25
380	100	25
220	110	25

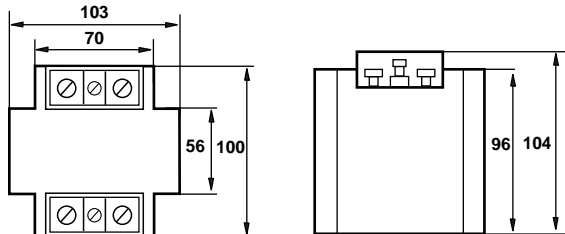


TE15R

### DIMENSIONS

Fixing support





Dimensions in m.m.